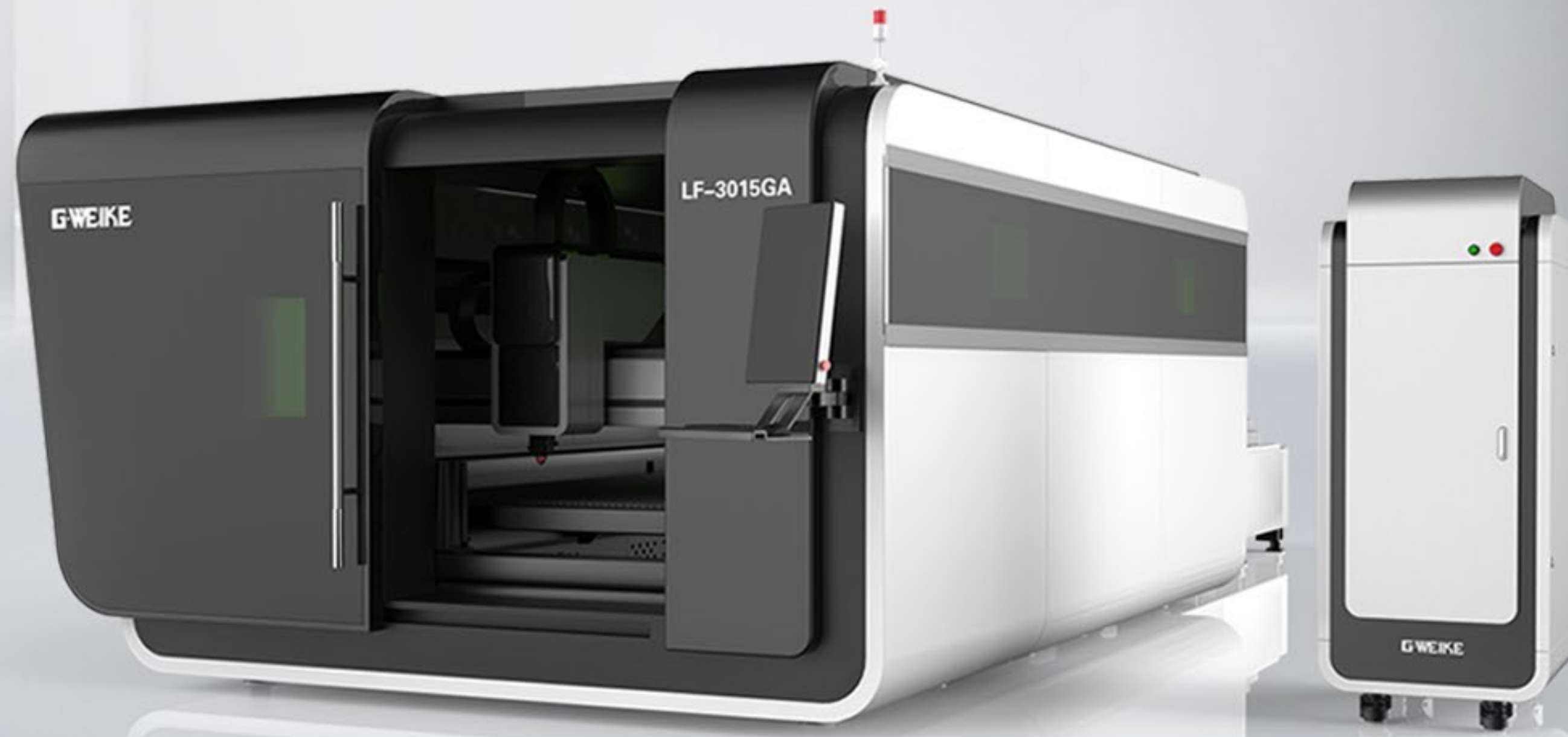


LF3015GA

WHOLE COVER FIBER LASER CUTTING MACHINE



Safety and No Pollution

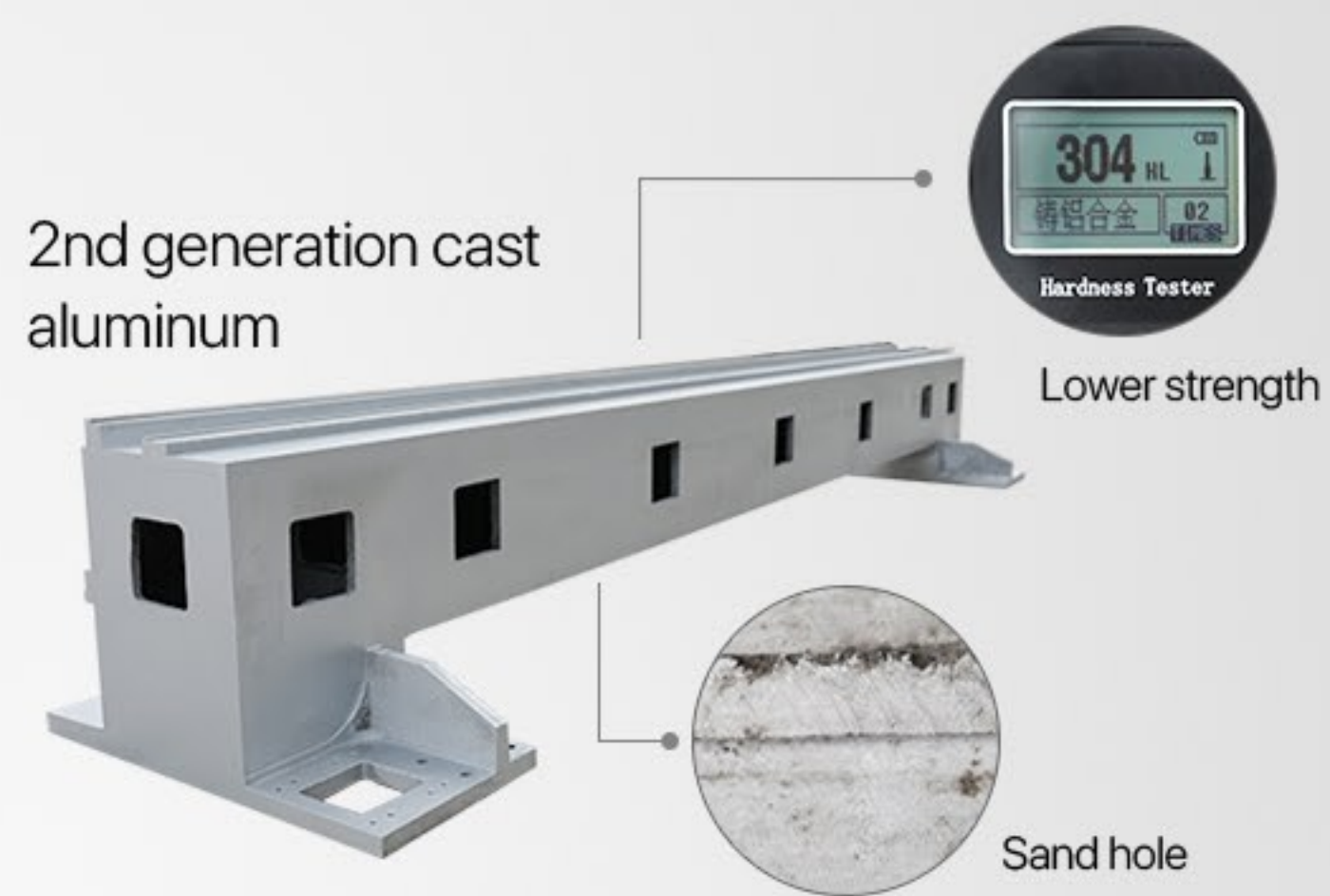
- With a fully enclosed design;
- The observation window adopts an European CE Standard laser protective glass;
- The smoke produced by cutting can be filtrated inside, it's non-polluting and environmentally;
- The weight of machine is 7500kg.

The Third Generation Aviation Aluminum Beam

1st generation steel beam



2nd generation cast aluminum



3rd generation aviation aluminum beam

It is manufactured with aerospace standards and formed by 4300 tons press extrusion molding. After aging treatment, its strength can reach 6061 T6 which is the strongest strength of all beams. Aviation aluminum has many advantages, such as good toughness, light weight, corrosion resistance, anti-oxidation, low density, and greatly increase the processing speed.



The Segmented Rectangular Tube Welded Bed

The internal structure of the bed adopts the aircraft metal honeycomb structure, which is welded by a number of rectangular tubes. Stiffeners are arranged inside the tubes to increase the strength and tensile strength of the bed, it also increases the resistance and stability of the guide rail so as to effectively avoid the deformation of the bed.

- High strength, stability, tensile strength, ensuring 20 years of use without distortion;
- Thickness of rectangular pipe wall is 10mm and weights 4500 kg.



Exchanging Platform

- It adopts an up and down exchange platform;
- The converter is responsible for controlling the exchanging motor;
- The machine is able to finish the platform exchanging within 15s.



Without Manual Operation, It Can Focus Automatically



- **Without manual focusing**

The software automatically adjusts the focusing lens to realize automatic perforating and cutting plates of different thickness. The speed of automatically adjusting focus lens is ten times of the manual adjusting.


- **Bigger adjustment range**

Adjustment range -10 mm ~ +10mm, precision 0.01mm, suitable for 0 ~ 20mm different types of plates.

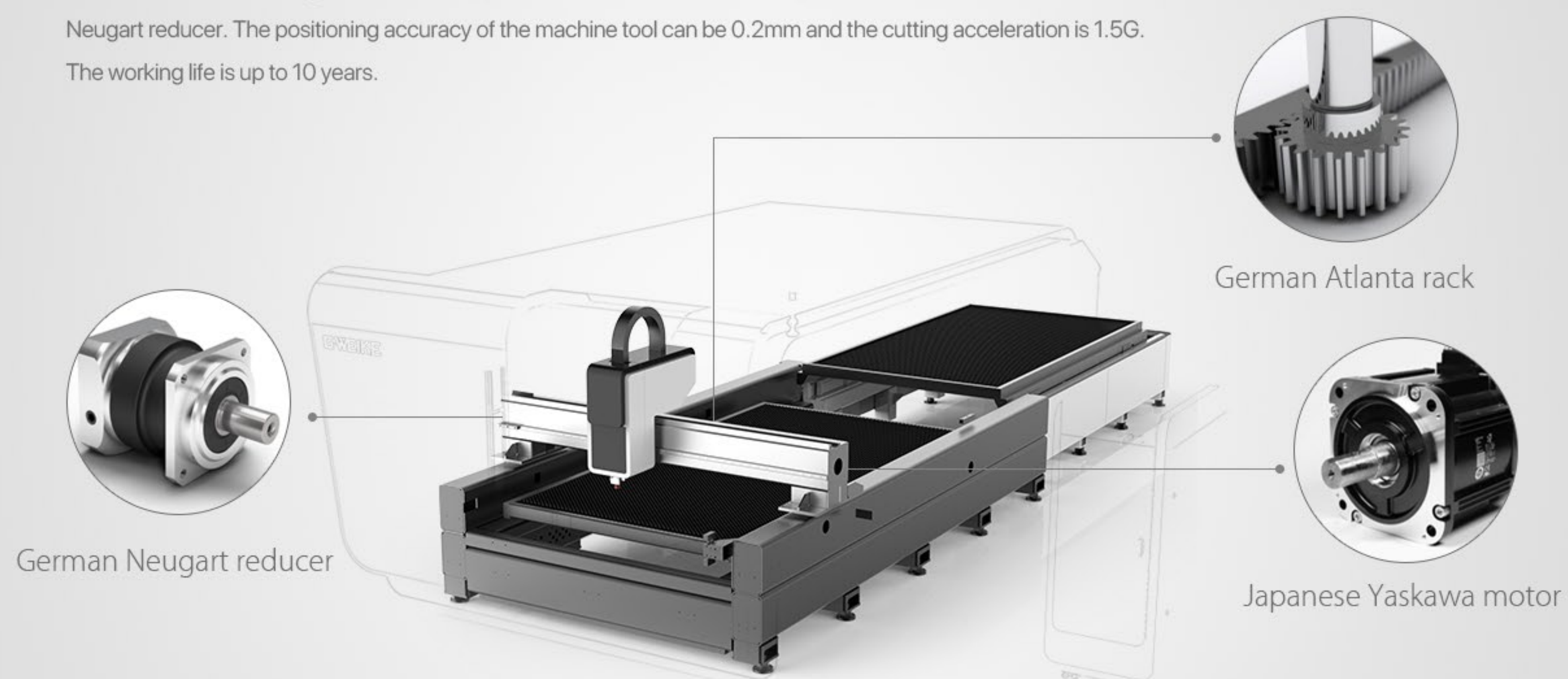
- **Long service life**

Collimator lens and focus lens both have water-cooling heat sink which reduces the temperature of the cutting head to improve the life of the cutting head.

Transmission and Precision

 **German Tech Quality**

G-WEIKE fiber laser cutting machine is equipped with German Atlanta rack, Japanese Yaskawa motor and German Neugart reducer. The positioning accuracy of the machine tool can be 0.2mm and the cutting acceleration is 1.5G. The working life is up to 10 years.



Technical Parameters

Machine Model	LF3015G/LF4015G/LF4020G
Laser Power	1000W 2000W 3000W 4000W 6000W 8000W(Optional)
Dimension	8150*2825*2125mm 9150*2825* 2125mm 9150*3325*2125mm
Working Size	3000mm*1500mm 4000mm*1500mm 4000*2000mm
Repeated Positioning Precision	±0.02mm
Max.Running Speed	100m/min
Max. Acceleration	1.5G
Specified Voltage and Frequency	380V 50Hz

Industry Applications

LF3015GA fiber laser cutting machine can carry up to 8000W laser power, so cutting some thick plate, it is a very good choice. For example, agricultural machinery, textile machinery, food machinery and construction machinery and other large machinery and equipment manufacturing, usually use high power fiber laser cutting machine for processing.



JINAN G.WEIKE SCIENCE & TECHNOLOGY CO.,LTD

In hi Tech square High-Tech Zone, Jinan,Shandong,China

E-mail: wkcutt@163.com

Hotline: 400-061-521

Fax: +86-0531-88912386