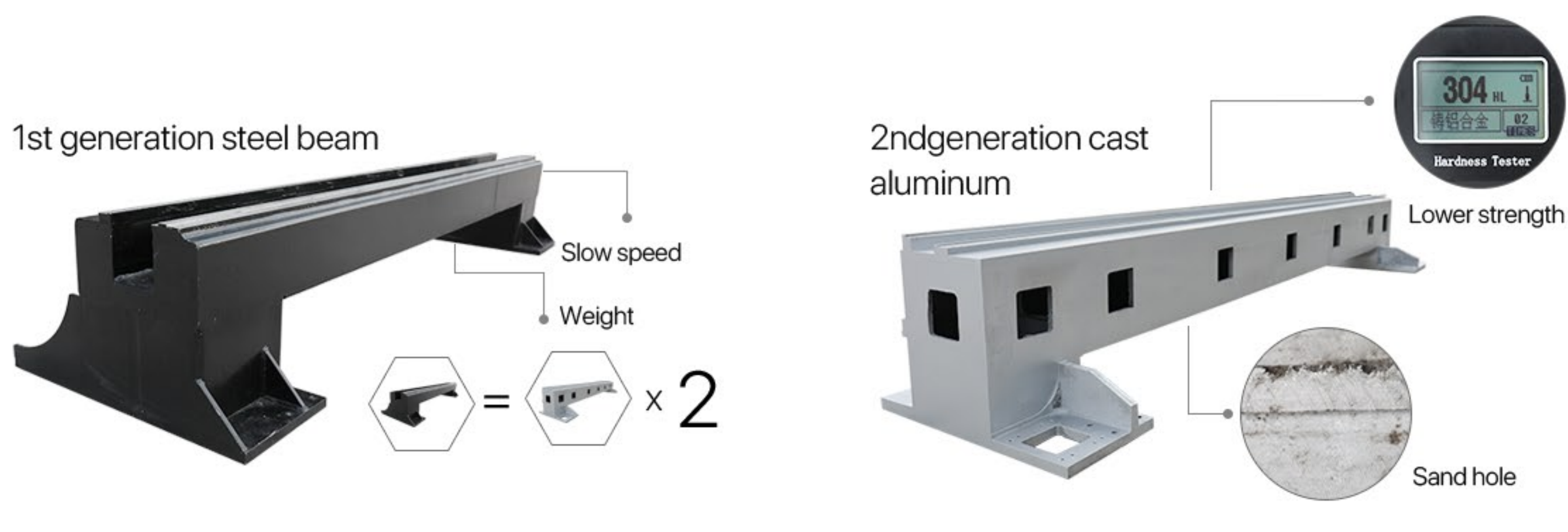


# LF3015CN

FIBER LASER CUTTING MACHINE



## The Third Generation Aviation Aluminum Beam



## The Third Generation Aviation aluminum beam

It is manufactured with aerospace standards and formed by 4300 tons press extrusion molding. After aging treatment, its strength can reach 6061 T6 which is the strongest strength of all beams. Aviation aluminum has many advantages, such as good toughness, light weight, corrosion resistance, anti-oxidation, low density, and greatly increase the processing speed.



## The Segmented Rectangular Tube Welded Bed

The internal structure of the bed adopts the aircraft metal honeycomb structure, which is welded by a number of rectangular tubes. Stiffeners are arranged inside the tubes to increase the strength and tensile strength of the bed, it also increases the resistance and stability of the guide rail so as to effectively avoid the deformation of the bed.

- High strength, stability, tensile strength, ensuring 20 years of use without distortion;
- Thickness of rectangular pipe wall is 10mm, and weights 4500 kg.



## Without Manual Operation, It Can Focus Automatically



- **Without manual focusing**

The software automatically adjusts the focusing lens to realize automatic perforating and cutting plates of different thickness. The speed of automatically adjusting focus lens is ten times of the manual adjusting.

- **Bigger adjustment range**

Adjustment range -10 mm ~ +10mm, precision 0.01mm, suitable for 0 ~ 20mm different types of plates.

- **Long service life**

Collimator lens and focus lens both have water-cooling heat sink which reduces the temperature of the cutting head to improve the life of the cutting head.

## Independent Control Cabinet

- **Dust-proof**

All electrical components and laser source are built-in to the independent control cabinet with a dust-proof design to prolong the lifespan of the electrical components.

- **Automatic Thermostat**

The control cabinet is equipped with air conditioner for automatic constant temperature. This can prevent excessive temperature damage to components in summer.



## IPAD Designing Screen

Ipad design screen, has a vertical screen display, different from the traditional horizontal screen display with good response speed, higher contrast, wider view, low power consumption as well as high resolution. In addition, it possesses high brightness levels and lower reflectivity as well as solid glass panel sturdiness and durability.

## Transmission and Precision

### German Tech Quality

G·WEIKE fiber laser cutting machine is equipped with German Atlanta rack, Japanese Yaskawa motor and German Neugart reducer. The positioning accuracy of the machine tool can be 0.02mm and the cutting acceleration is 1.5G. The working life is up to more than 10 years.



## Technical Parameters

Machine Model	LF3015CN/LF4015CN/LF6015CN
Laser power	1000W 2000W 3000W 4000W 6000W 8000W(Optional)
Dimensions	4600*2450*1700mm 5934*2570*1880mm 7999*3048*1880mm
Working Area	3000mm * 1500mm 4000mm * 1500mm 6000mm * 1500mm
Repeat Positioning Accuracy	±0.02mm
Maximum Speed	100m/min
Power Consumption	<10KW
Voltage and Frequency	380V/50Hz/60Hz/60A

## Industry Applications

LF3015C fiber laser cutting machine as one classic model, widely used in life, such as processing of stainless steel kitchenware, storage cabinet and other cabinets, is closely related to people's daily life.



## JINAN G·WEIKE SCIENCE & TECHNOLOGY CO.,LTD

In hi Tech square High-Tech Zone, Jinan,Shandong,China

E-mail: [wkcutt@163.com](mailto:wkcutt@163.com)

Hotline: 400-061-521

Fax: +86-0531-88912386